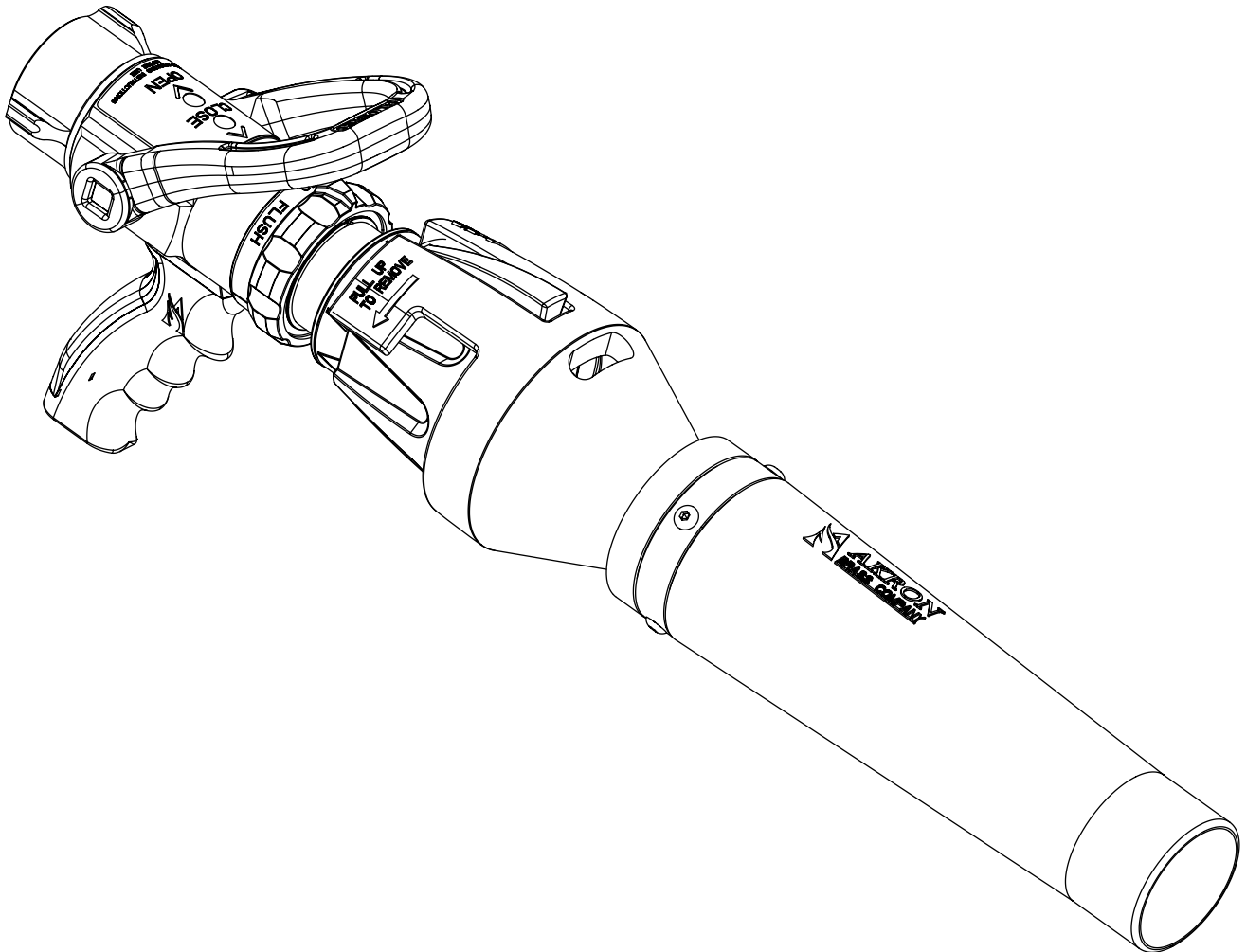




**STYLE 624, 638 QUICK-ATTACK™ FOAM TUBE
INSTALLATION, OPERATING, AND MAINTENANCE INSTRUCTIONS**



The following is intended to provide the basic instructions for installation, operation, and maintenance.
Read and understand these operating instructions before use.

⚠ WARNING Read and follow the operating instructions before use.

⚠ WARNING For firefighting use only.

Product Ratings

Style 624 Quick-Attack™ Foam Tube

- Use on Style 1602 and 4102 1" Avenger nozzles
- 100psi maximum operating pressure
- 60GPM (230LPM) maximum flow

Style 638 Quick-Attack™ Foam Tube

- Use on Style 1615, 1616, 4115 and 4116 1-1/2" Avenger nozzles
- 100psi maximum operating pressure
- 150GPM (550LPM) maximum flow

Product Warnings

- ⚠ DANGER** • Indicates a hazardous situation which, if not avoided, WILL result in death or serious injury.
- ⚠ WARNING** • Indicates a hazardous situation which, if not avoided, COULD result in death or serious injury.
- ⚠ CAUTION** • Indicates a potentially hazardous situation which, if not avoided, may result in minor or moderate injury.
- NOTICE** • Addresses practices not related to personal injury.

⚠ DANGER • Not for use on electrical fires.

⚠ WARNING • Lack of foam can place the nozzle operator at risk of injury or death. Establish foam flow before advancing into hazardous situations. Assure against running out of foam. Check concentrate level periodically and keep an adequate supply on hand.

⚠ WARNING • Improper use of foam can result in injury or damage to the environment. Follow foam concentrate manufacturer's instructions and fire service training to avoid:

- Using wrong type of foam on a fire, i.e. Class A foam on a Class B fire
- Mishandling of concentrates, some of which are flammable.
- Plunging foam into pools of burning liquid fuels.
- Causing environmental damage.
- Directing foam into face.

⚠ CAUTION • Each style of foam tube is designed for a specific nozzle. Do not use with other than the intended nozzle. Use with other than the intended nozzle can result in improper latching, poor foam performance, injury or loss of property.

⚠ CAUTION • Any alterations to the Quick-Attack™ foam tube or its markings constitutes a misuse of these products and could diminish safety.

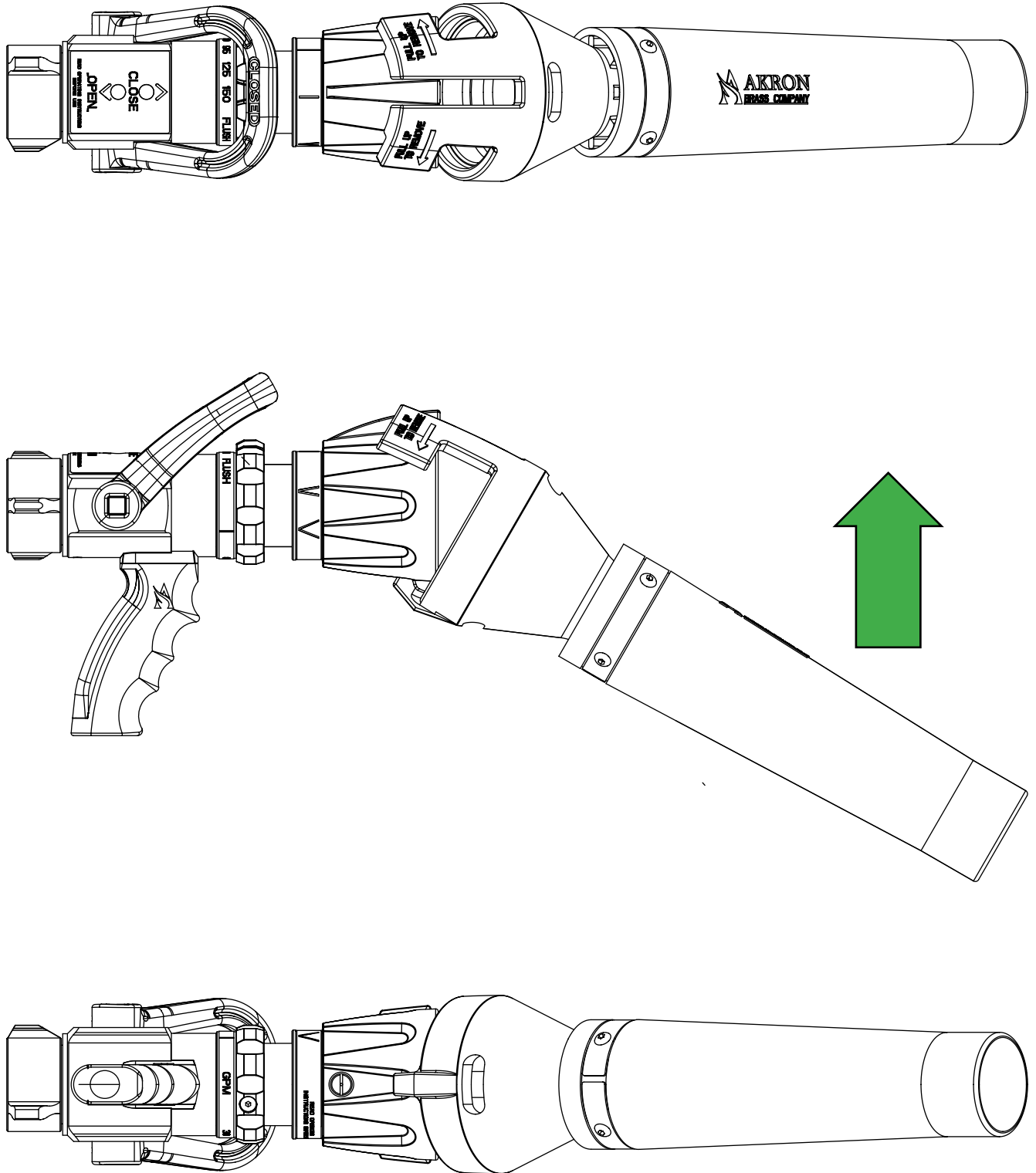
⚠ CAUTION • Fully engage tabs before flowing.

NOTICE • Do not operate in wide fog.

Attachment to nozzle

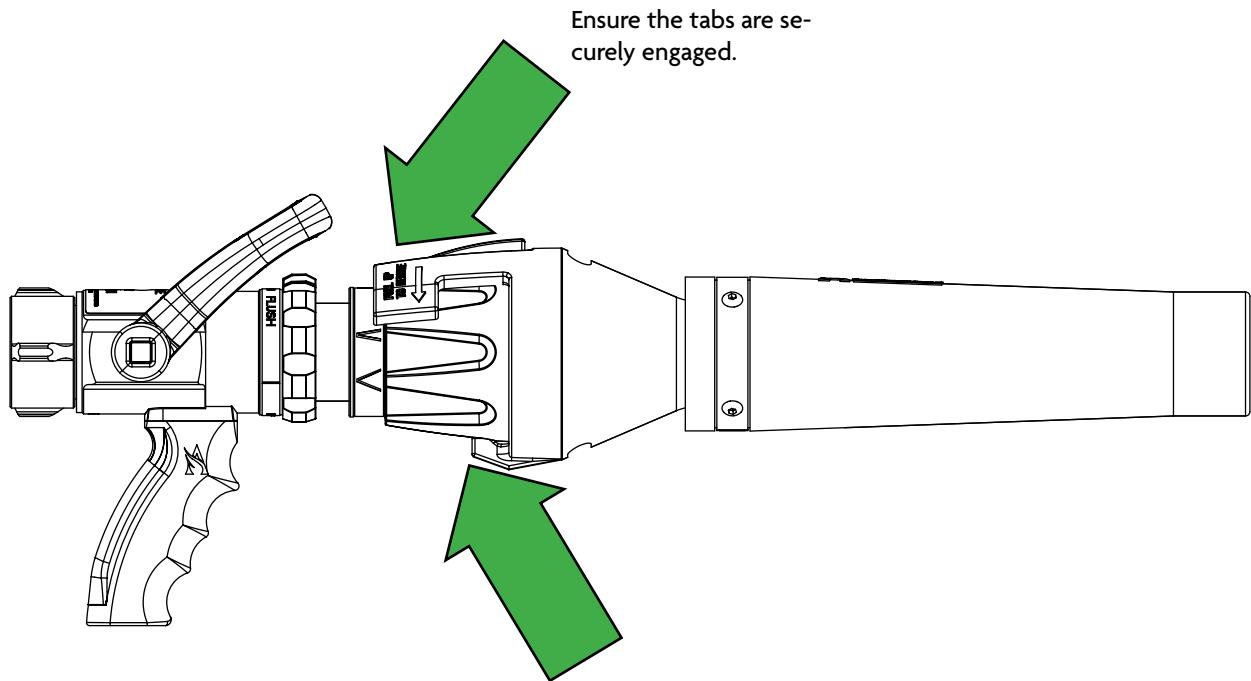
Position the Quick-Attack™ foam tube on the nozzle pattern sleeve as shown below. Firmly holding the nozzle, elevate the foam tube upward and “snap” in place.

Figure 1



The final installed position of the Quick-Attack™ foam tube is shown below. Ensure the tabs are securely engaged.

Figure 2



Removal from nozzle

While holding the nozzle and the bale handle in the closed position, place one hand over the Quick-Attack™ foam tube tabs, grasp firmly and lift upward and away from the nozzle pattern sleeve. The foam tube will begin to pivot opposite of the initial installation position and can then be easily lowered off the end of the nozzle.

Figure 3

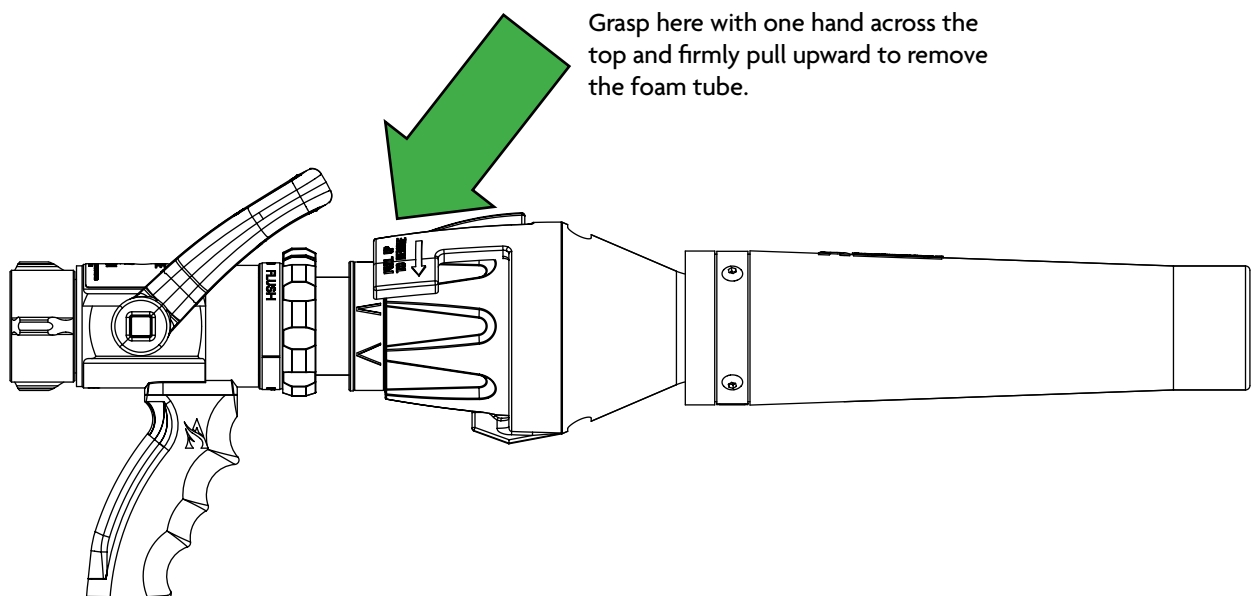
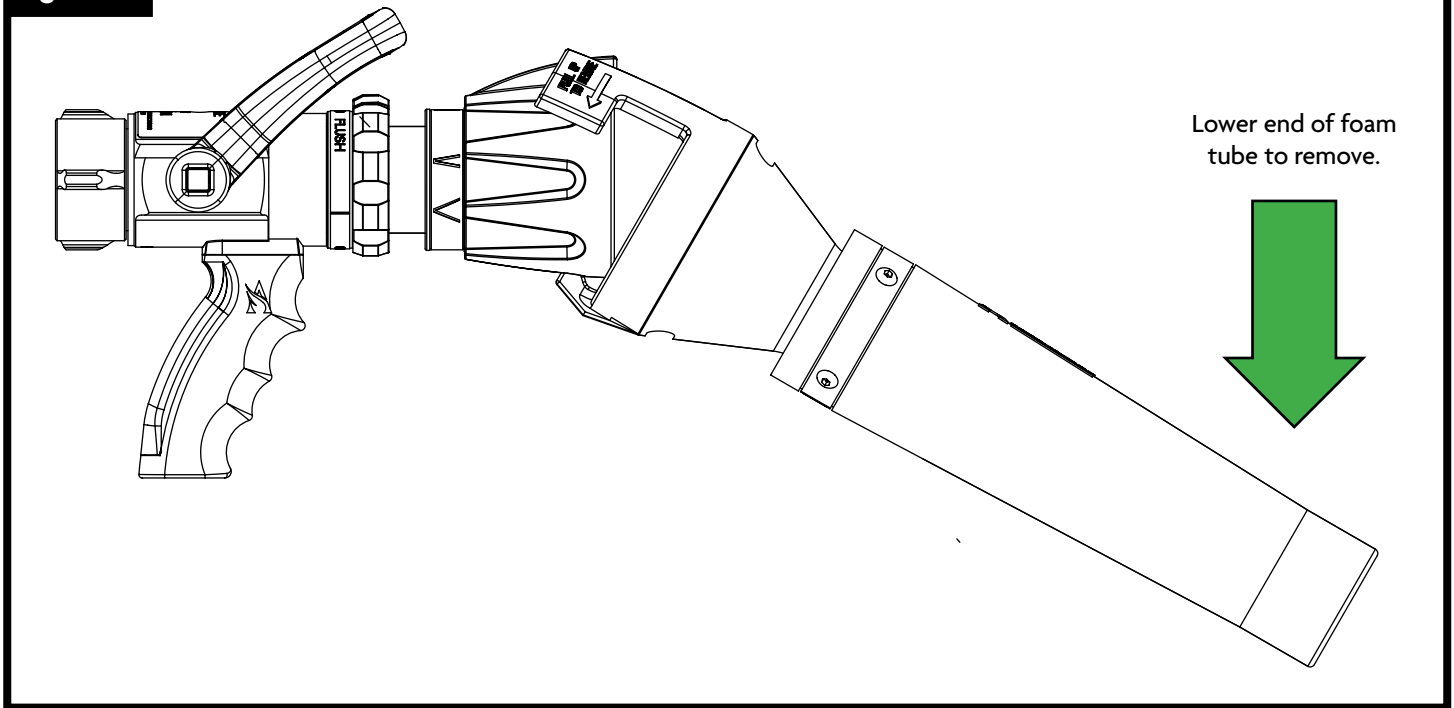


Figure 4



Operating Instructions

- Foam quality is controlled by the position of the nozzle pattern sleeve and the corresponding stream shape.
- Straight stream position of the nozzle pattern sleeve will result in longer reach but less expansion of the foam solution.
- Narrow fog position of the nozzle pattern sleeve will result in shorter reach but more expansion of the foam solution.
- Foam tubes should not be operated with the nozzle pattern sleeve in the wide fog position.

Maintenance Instructions

- After use, flush the nozzle and foam tube with clean fresh water to clean foam concentrate, grit and dirt from around interior and exterior moving parts. Doing so will allow the nozzle and foam tube to operate as designed.